



www.esbe.se

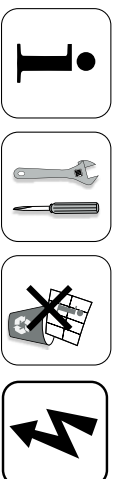


**SERIES ARA600 2-Point**



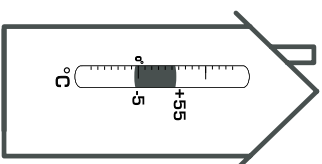
NO.1 IN HYDRONIC SYSTEM CONTROL

Mod.nr: 9814 02 74 • Rit.nr.: 8090 utg. A • Rev. 0802



Series ARA635 - ARA638  
 Series ARA645 - ARA648  
 Series ARA655 - ARA658  
 €

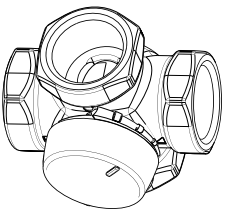
LVD 2006/95/EC  
 EMC 89/336/EEC  
 RoHS 2002/95/EEC



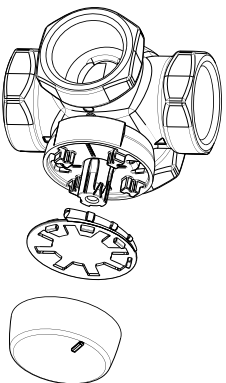
+

VRG13Q, VRG14Q, VRG23Q, VRB14Q	VRG13Q, VRG14Q, VRG23Q, VRB14Q	3WG, 4WG
3G, 4G	3F, 4F ≤ DN50	3HG, 4HG, 3H, 4H
BIV	T, TM	

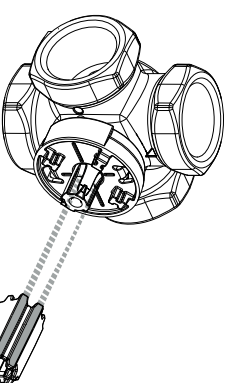
1



2

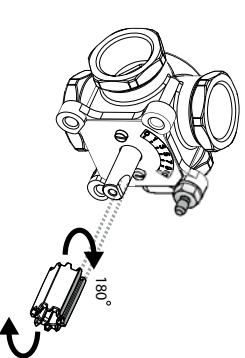


3



VRG13Q, VRG14Q, VRG23Q, VRB14Q

MG, G, F, H, HG, BV, T, TM



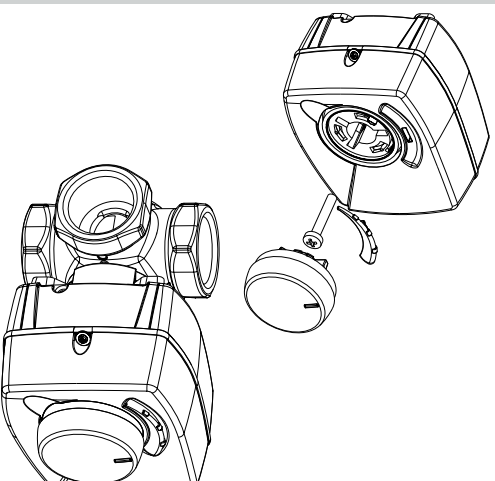
4

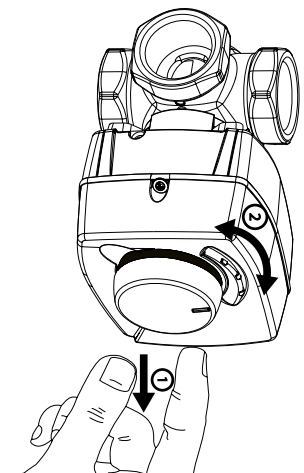
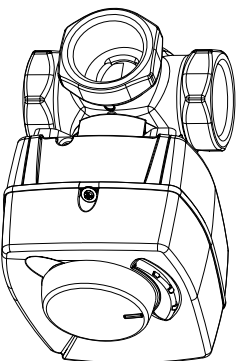
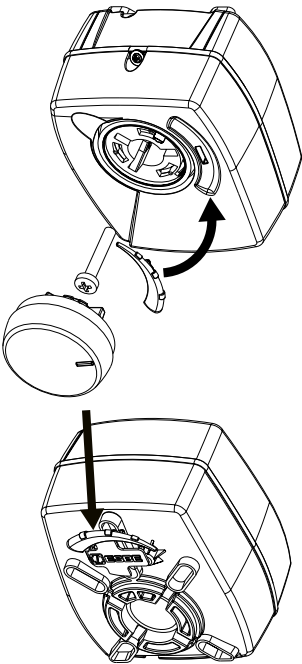
MG, G, F, H, HG, BV, T, TM

5,6

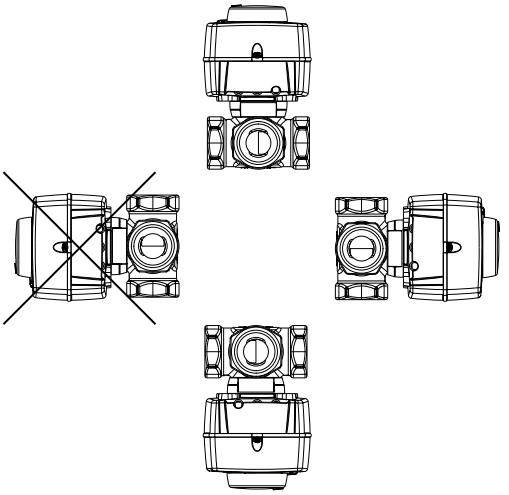


DN15-25	DN20-40	DN50	DN20-25	DN20-250
H, DN25	H: DN32-50	HG: DN25	H: DN25	H: DN32-50
H: DN32-50	HG: DN25	DN20-22	DN25	T: DN20-32
TM: DN20				



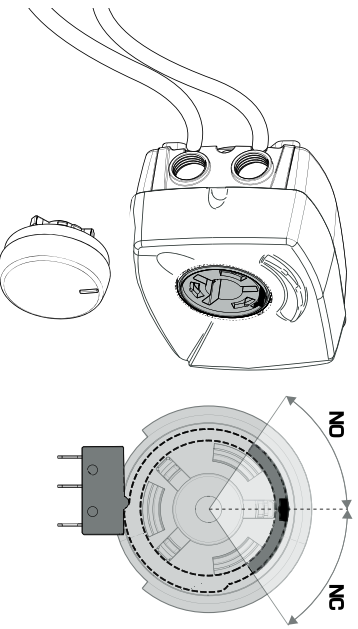


10



11a

Series ARA636, 638, 646, 648, 656, 658



11b

