



www.esbe.se



SERIES VTC500



NO.1 IN HYDRONIC SYSTEM CONTROL

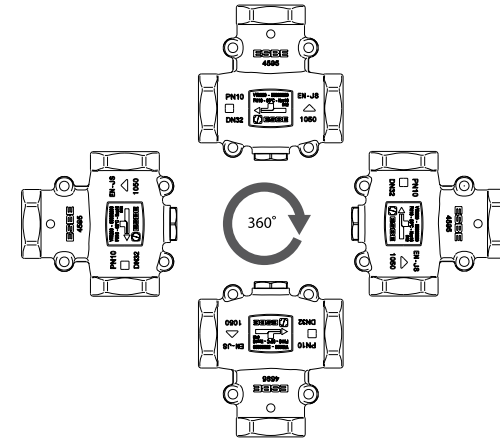
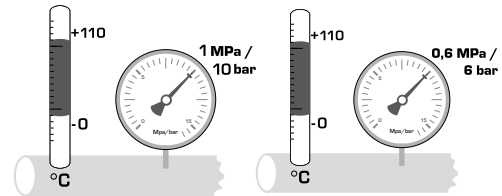


Series VTC511
Series VTC512
Series VTC531

CE
PED 97/23/EC

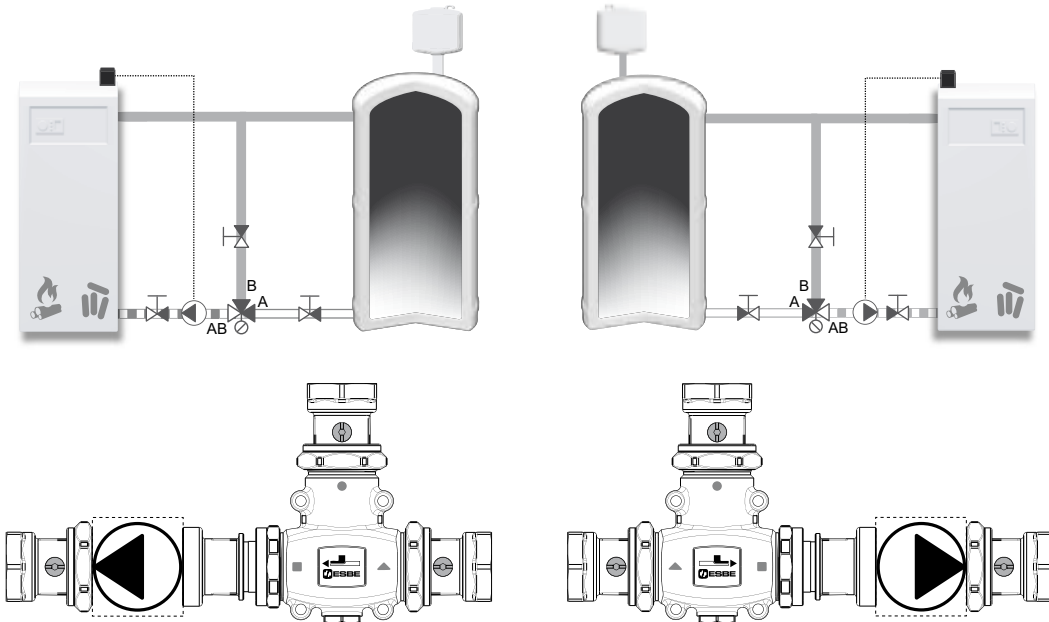
Series VTC511
Series VTC512

Series VTC531

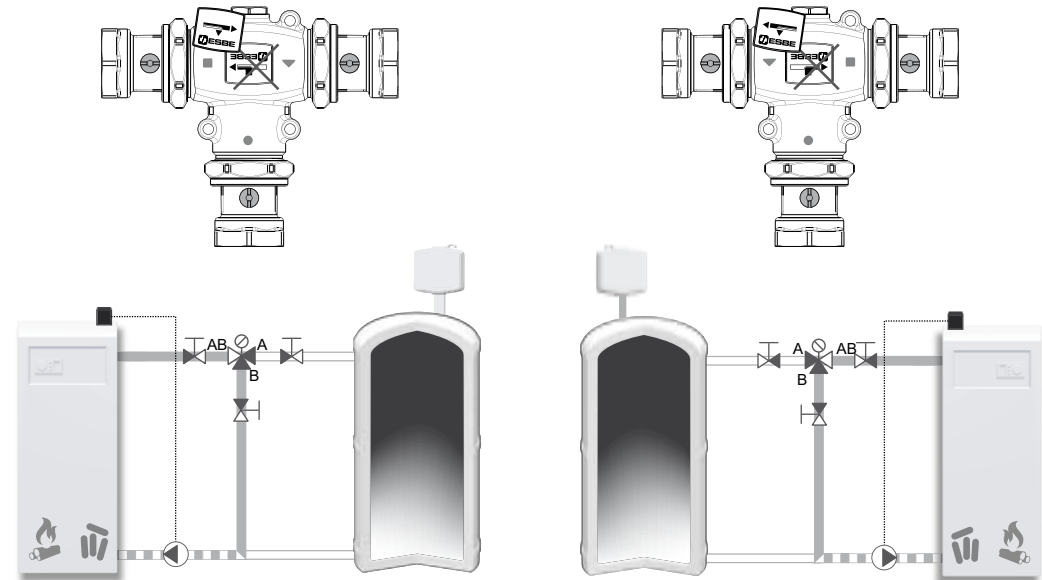


Mtr.Nr. 9814 02 98 • Ritn.nr. 9144 utg.A • Rev. 0711

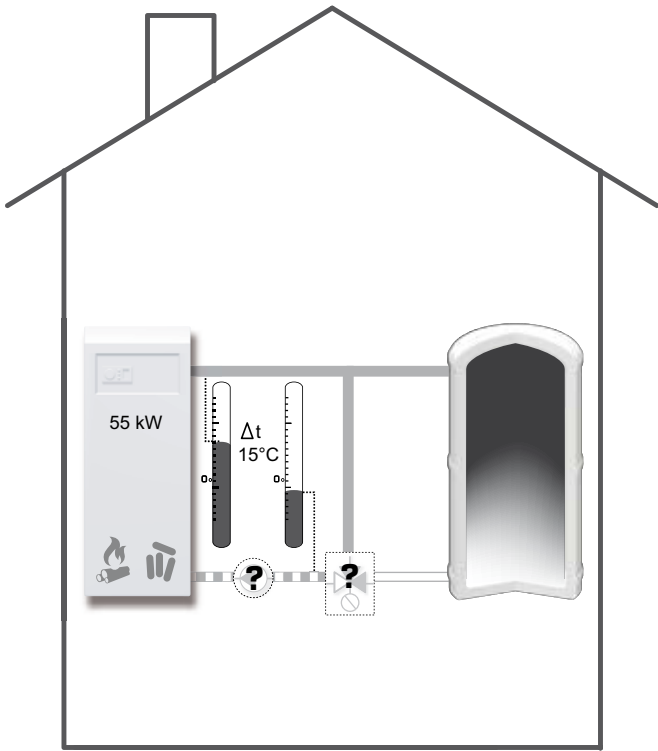
45/55/60/70/80 °C



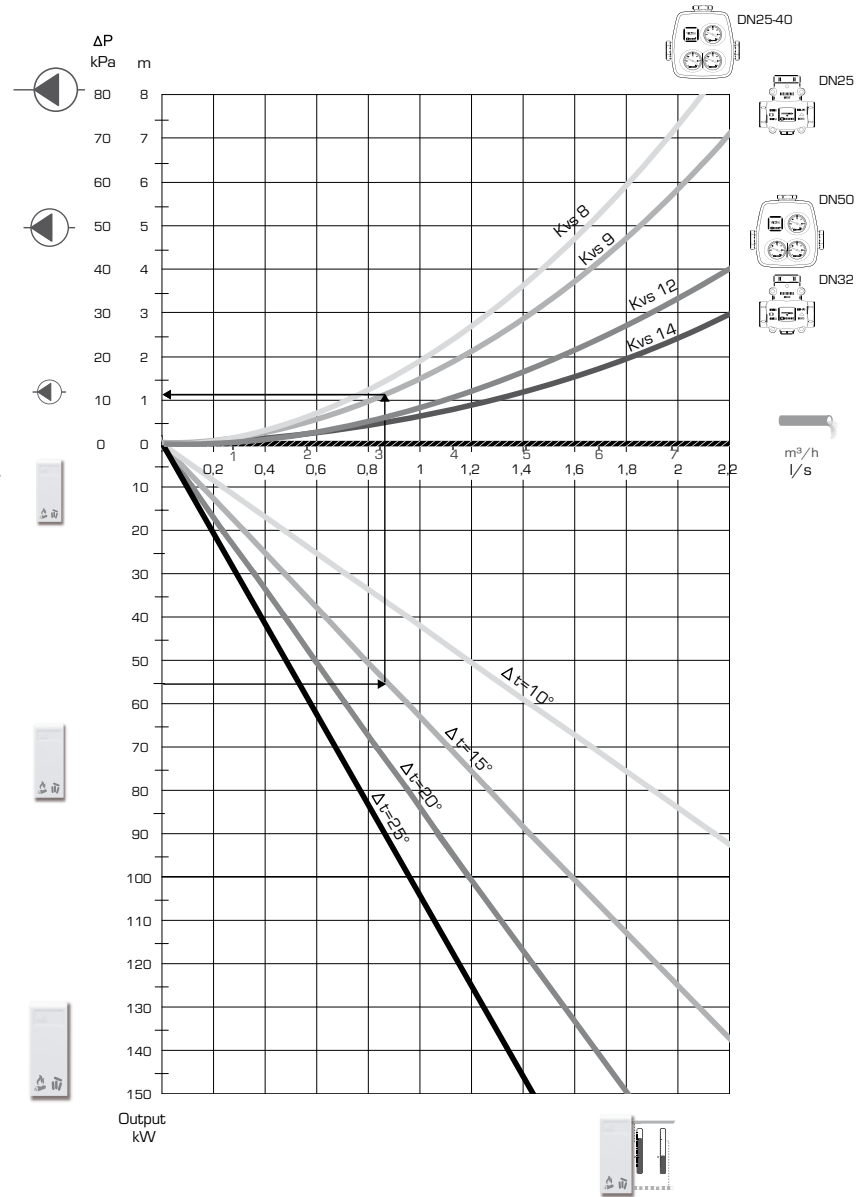
70/80 °C



1



2



3

